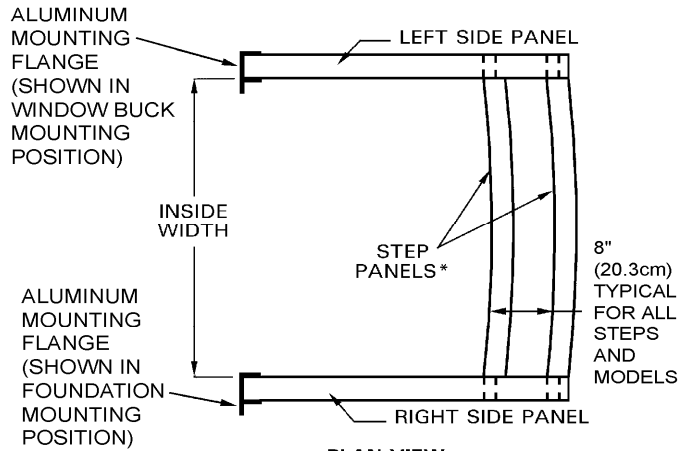




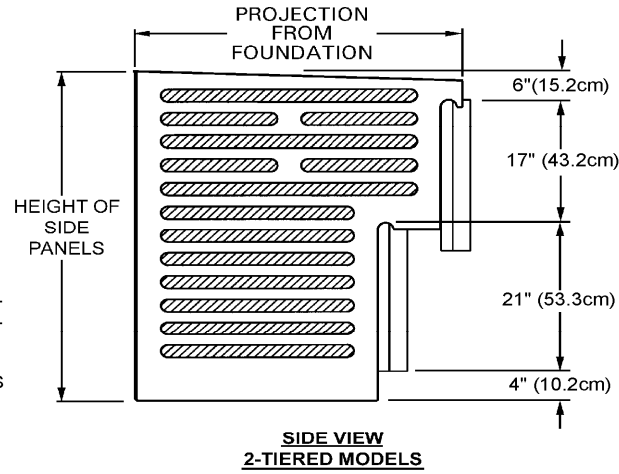
SCAPEWEL[®] Window Well Standard Sizes and Dimensions

ScapeWEL is supplied for wall mount installation and can be modified in the field for buck mount installation.

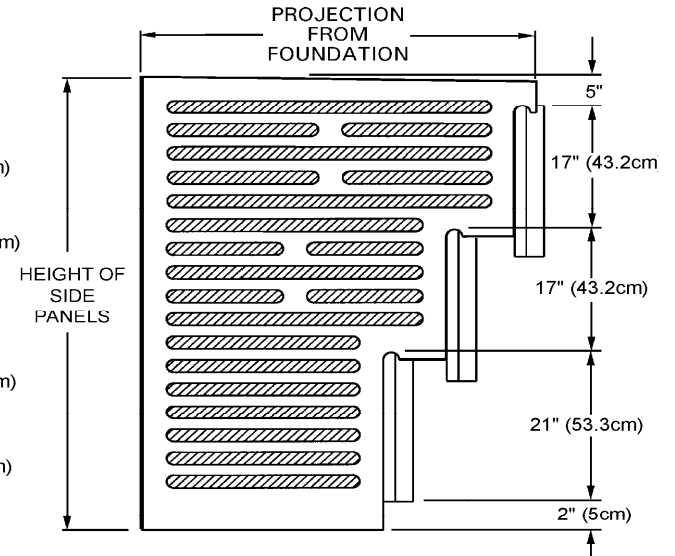


PLAN VIEW

* TWO-TIER MODEL SHOWN



**SIDE VIEW
2-TIERED MODELS**



**SIDE VIEW
3-TIERED MODELS**

Model	Number of Tiers	Inside Width		Projection from Foundation		Height* of Side Panels				Extension Model Number	Maxium Width of Opening			
						Standard		with Extension			Wall Mount		Buck Mount	
		inches	cm	inches	cm	inches	cm	inches	cm		inches	cm	inches	cm
4048-42	2	42	106.7	41	104.1	48	121.9	X	X	X	42	106.7	38	96.5
4048-54	2	54	137.2	41	104.1	48	121.9	X	X	X	54	137.2	50	127
4048-66	2	66	167.6	41	104.1	48	121.9	X	X	X	66	167.6	62	157.5
4862-42	3	42	106.7	49	124.5	62	157.5	81	205.7	3019-42	42	106.7	38	96.5
4862-54	3	54	137.2	49	124.5	62	157.5	81	205.7	3019-54	54	137.2	50	127
4862-66	3	66	167.6	49	124.5	62	157.5	81	205.7	3019-66	66	167.6	62	157.5

*Side panels must extend 4" (10.2cm) above grade level and 3-1/2" (8.9cm) below the window sill.

Note: The distance from the outside of the foundation wall to the inside face of the first step is 30" (76.2cm) as shown in the detail above